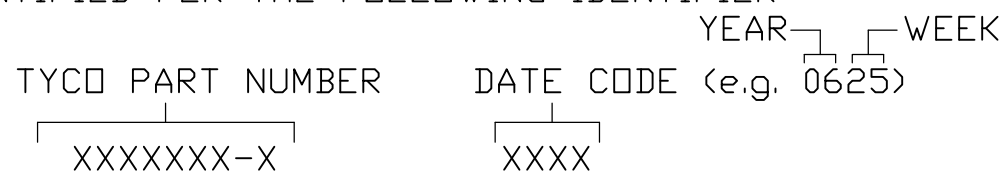


THIS DRAWING IS UNPUBLISHED. RELEASED FOR PUBLICATION
 © COPYRIGHT BY TYCO ELECTRONICS CORPORATION. ALL RIGHTS RESERVED.

LOC	DIST	REVISIONS					
		P	LTR	DESCRIPTION	DATE	DWN	APVD
GP	00		B	REV PER ECO-07-007230	29MAR07	RG	SF

△ MINIMUM 5oz. Cu RECOMMENDED FOR USE WITH PC BOARD.

5. ITEMS PROVIDED TO THIS SPECIFICATION TO BE PERMANENTLY IDENTIFIED PER THE FOLLOWING IDENTIFIER:



4. ALL DIMENSIONS SHOWN ACROSS A CENTERLINE (C) SHALL BE CENTRALIZED WITHIN THE TOLERANCE INDICATED FOR THAT DIMENSION.

3. FINISHES:

CROWN HOLDER: GOLD PLATED, .000030 MIN THICK WITH OVERALL GOLD FLASH OVER NICKEL PLATED, .000040 MIN THICK

2. MATERIALS:

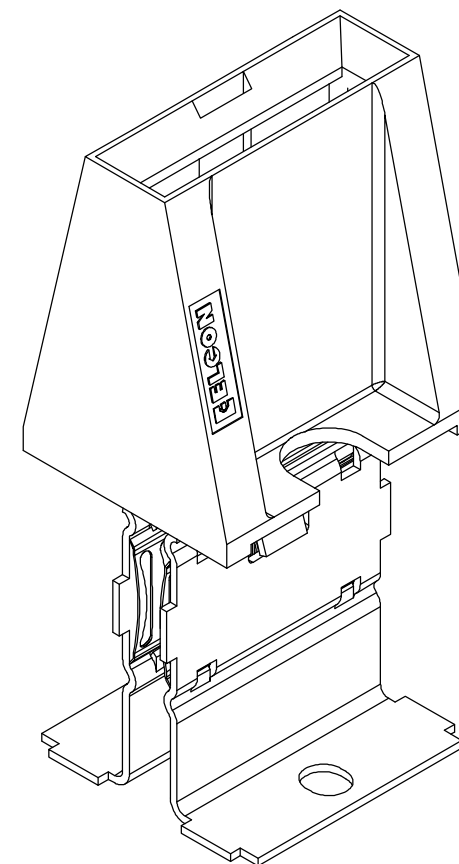
INSULATOR: THERMOPLASTIC, GLASS REINFORCED, UL94V-0 FLAMMABILITY RATED, COLOR-BLACK

CROWN HOLDER: COPPER ALLOY

CROWN BAND: COPPER ALLOY

MATING BLADE: COPPER ALLOY WITH GOLD OR NICKEL PLATED

1. PART NUMBER CHANGES AND OR DESIGN CHANGES AFFECTING ITEM INTERCHANGEABILITY REQUIRE PRIOR ELCON APPROVAL AND AUTHORIZATION BY REVISION TO THIS DRAWING.



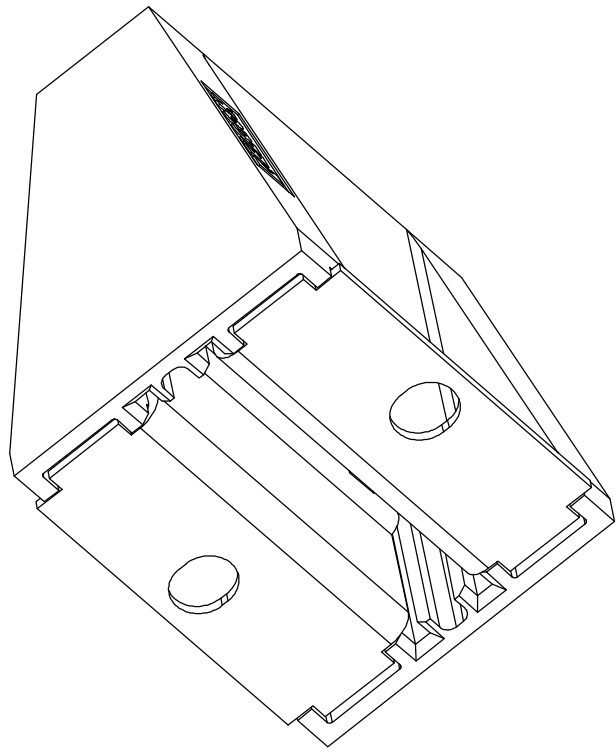
BEFORE ASSEMBLED

AS SHOWN	1643902-1
DESCRIPTION	PART NUMBER

THIS DRAWING IS A CONTROLLED DOCUMENT.		DWN 02/25/06 HA/GRZYBOWSKI	Tyco Electronics Corporation Harrisburg, PA 17105-3608	
DIMENSIONS: INCHES		CHK -		
		APVD 02/25/06 CHAU/FLICKINGER	NAME CONNECTOR, CROWN CLIP DOUBLE POLE, FEED THRU	
TOLERANCES UNLESS OTHERWISE SPECIFIED:		PRODUCT SPEC -	APPLICATION SPEC -	
0 PLC ± - 1 PLC ± - 2 PLC ± .02 [.3] 3 PLC ± .010 [0.25] 4 PLC ± - ANGLES ± .5		WEIGHT -	SIZE A3	CAGE CODE 00779
MATERIAL -		FINISH -	DRAWING NO C-1643902	RESTRICTED TO -
CUSTOMER DRAWING			SCALE 2:1	SHEET 1 OF 3
			REV B	

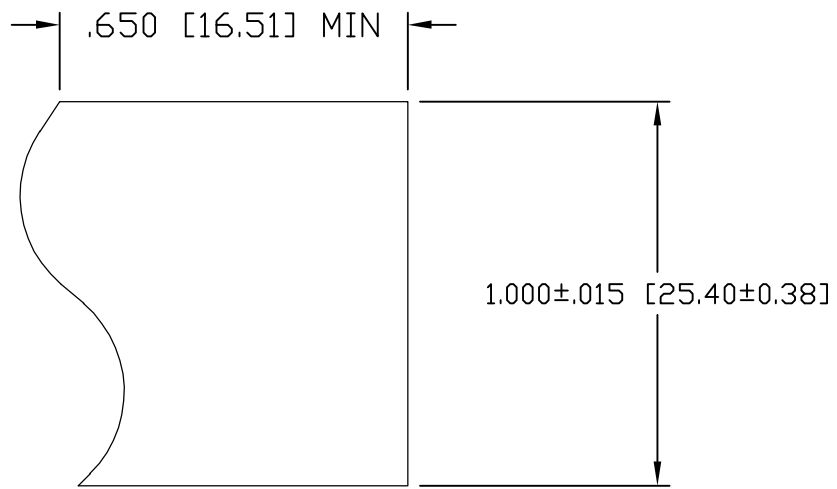
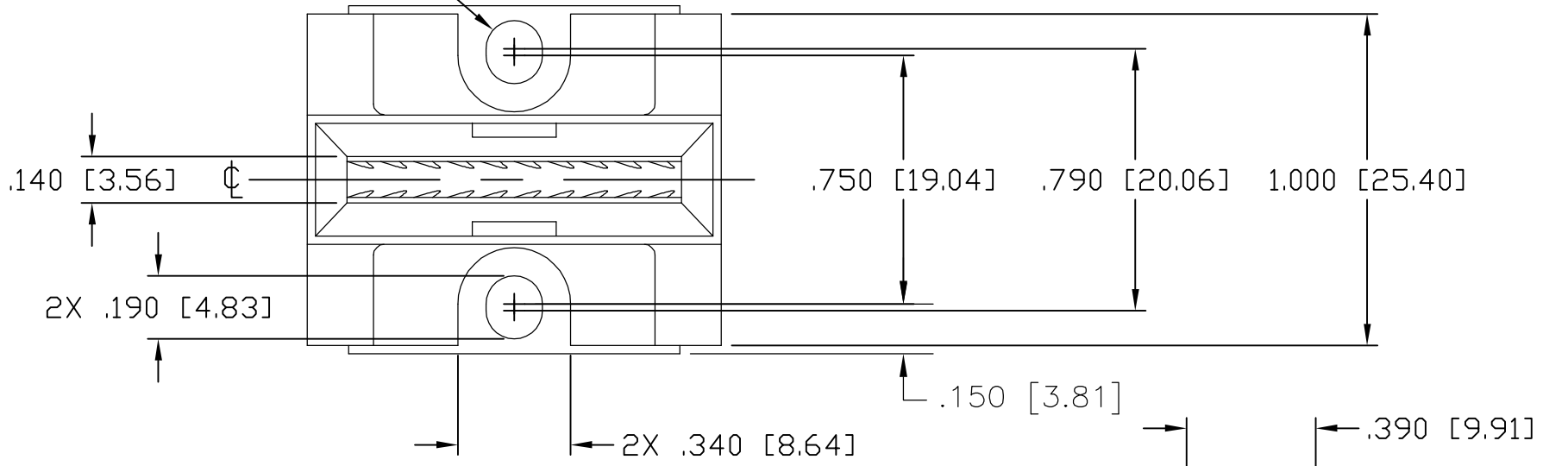
THIS DRAWING IS UNPUBLISHED. RELEASED FOR PUBLICATION
 © COPYRIGHT BY TYCO ELECTRONICS CORPORATION. ALL RIGHTS RESERVED.

LOC	DIST	REVISIONS					
GP	00	P	LTR	DESCRIPTION	DATE	DWN	APVD
		-		SEE SHEET 1	-	-	-

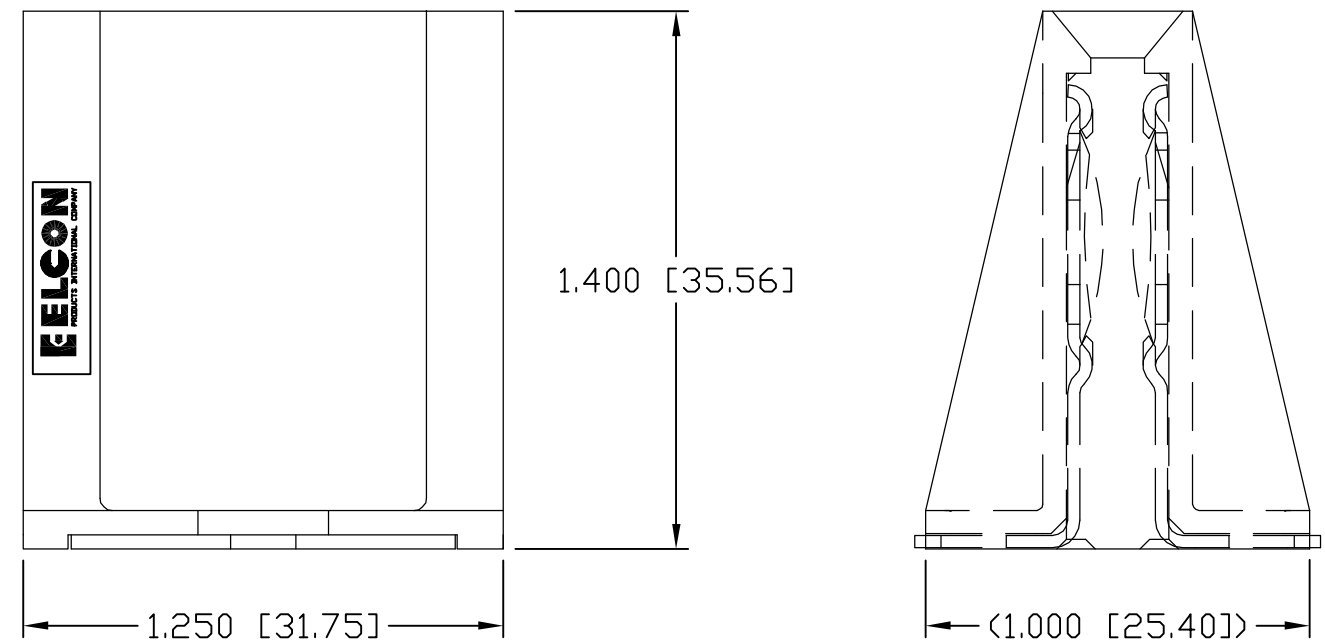


FEED-THRU VIEW

4X R.085 [R2.16]
 (CLEARANCE SLOT
 FOR #8 OR M4 SCREW)



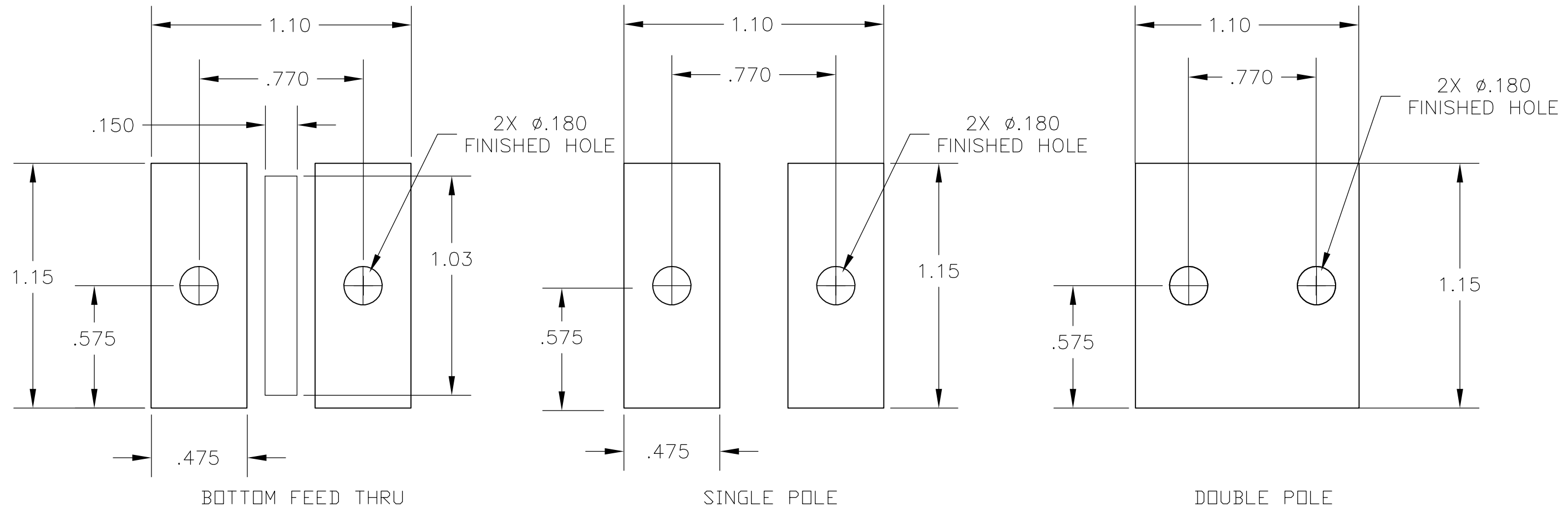
RECOMMENDED MATING BLADE



THIS DRAWING IS A CONTROLLED DOCUMENT.		DWN 02/25/06 HA/GRZYBOWSKI	Tyco Electronics Corporation Harrisburg, PA 17105-3608	
DIMENSIONS: INCHES		CHK -	NAME	
TOLERANCES UNLESS OTHERWISE SPECIFIED: 0 PLC ± - 1 PLC ± - 2 PLC ± .02 [.3] 3 PLC ± .010 [0.25] 4 PLC ± - ANGLES ± .5		APVD 02/25/06 CHAU/Flickinger	CONNECTOR, CROWN CLIP DOUBLE POLE, FEED THRU	
MATERIAL -		PRODUCT SPEC -	SIZE A3	CAGE CODE 00779
FINISH -		APPLICATION SPEC -	DRAWING NO C-1643902	RESTRICTED TO -
CUSTOMER DRAWING			SCALE 2:1	SHEET 2 OF 3
			REV B	

THIS DRAWING IS UNPUBLISHED. RELEASED FOR PUBLICATION
 © COPYRIGHT - BY TYCO ELECTRONICS CORPORATION. ALL RIGHTS RESERVED.

LOC	DIST	REVISIONS					
GP	00	P	LTR	DESCRIPTION	DATE	DWN	APVD
		-		SEE SHEET 1	-	-	-



RECOMMENDED PCB PAD LAYOUT

THIS DRAWING IS A CONTROLLED DOCUMENT.		DWN	02/25/06		tyco Electronics	Tyco Electronics Corporation	
		CHK	-			Harrisburg, PA 17105-3608	
DIMENSIONS:	TOLERANCES UNLESS OTHERWISE SPECIFIED:	APVD	02/25/06		NAME		
INCHES		CHAU/FLICKINGER			CONNECTOR, CROWN CLIP		
	0 PLC ± -	PRODUCT SPEC			DOUBLE POLE, FEED THRU		
	1 PLC ± -	APPLICATION SPEC			SIZE	CAGE CODE	DRAWING NO
	2 PLC ± .02 [.3]				A3	00779	C-1643902
	3 PLC ± .010 [0.25]				RESTRICTED TO		
	4 PLC ± -				-		
	ANGLES ± .5	WEIGHT			SCALE		
MATERIAL	FINISH	-			2:1		SHEET
-	-				3 OF 3		REV
		CUSTOMER DRAWING			B		